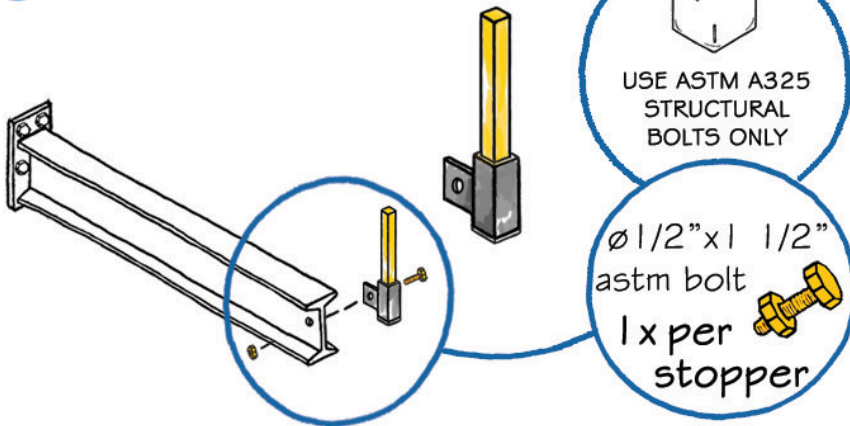


INSTALLATION MANUAL

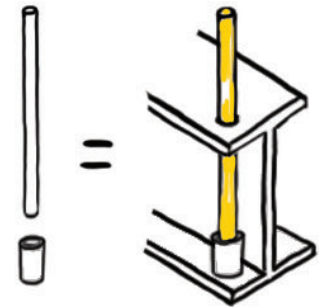
For the most current release of this manual,
please visit our website at cogan.com

V.2015.1

#1 COLUMN TYPE 1 & 2 ARM PIN

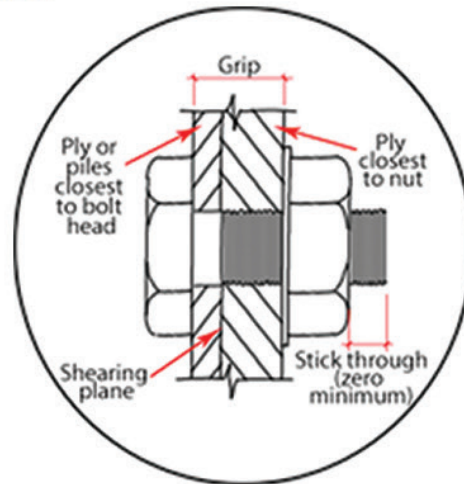


#2 COLUMN TYPE 1 & 2 BASE PIN



STOPPER PINS

Attach each stopper pin to cantilever arms or base. Refer to installation drawings for emplacement.



Product

Racking

Sub-product

Cantilever rack stopper pins

- Prevents material from rolling off the arm or base.
- Easy to install with 1 bolt per arm.



A Tradition of Quality Since 1901

cogan.com