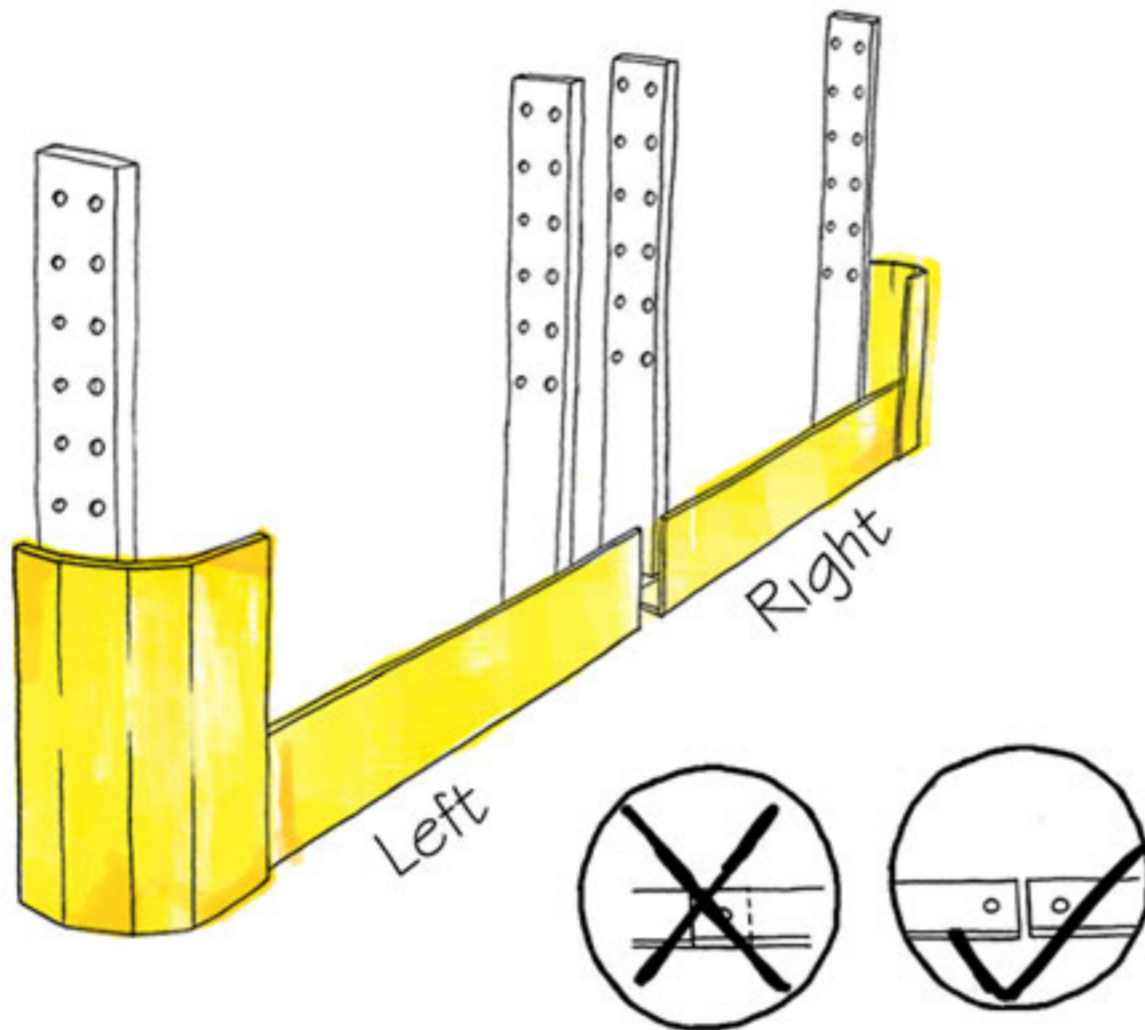


# INSTALLATION MANUAL

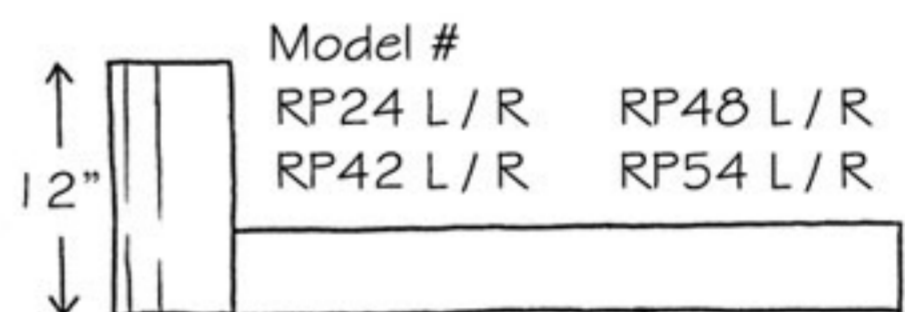
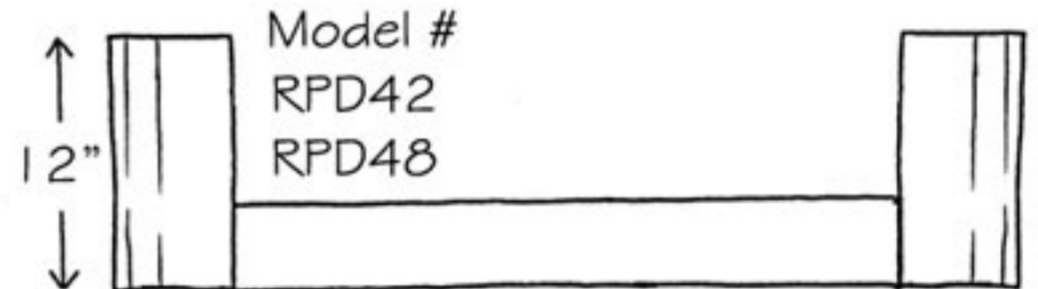
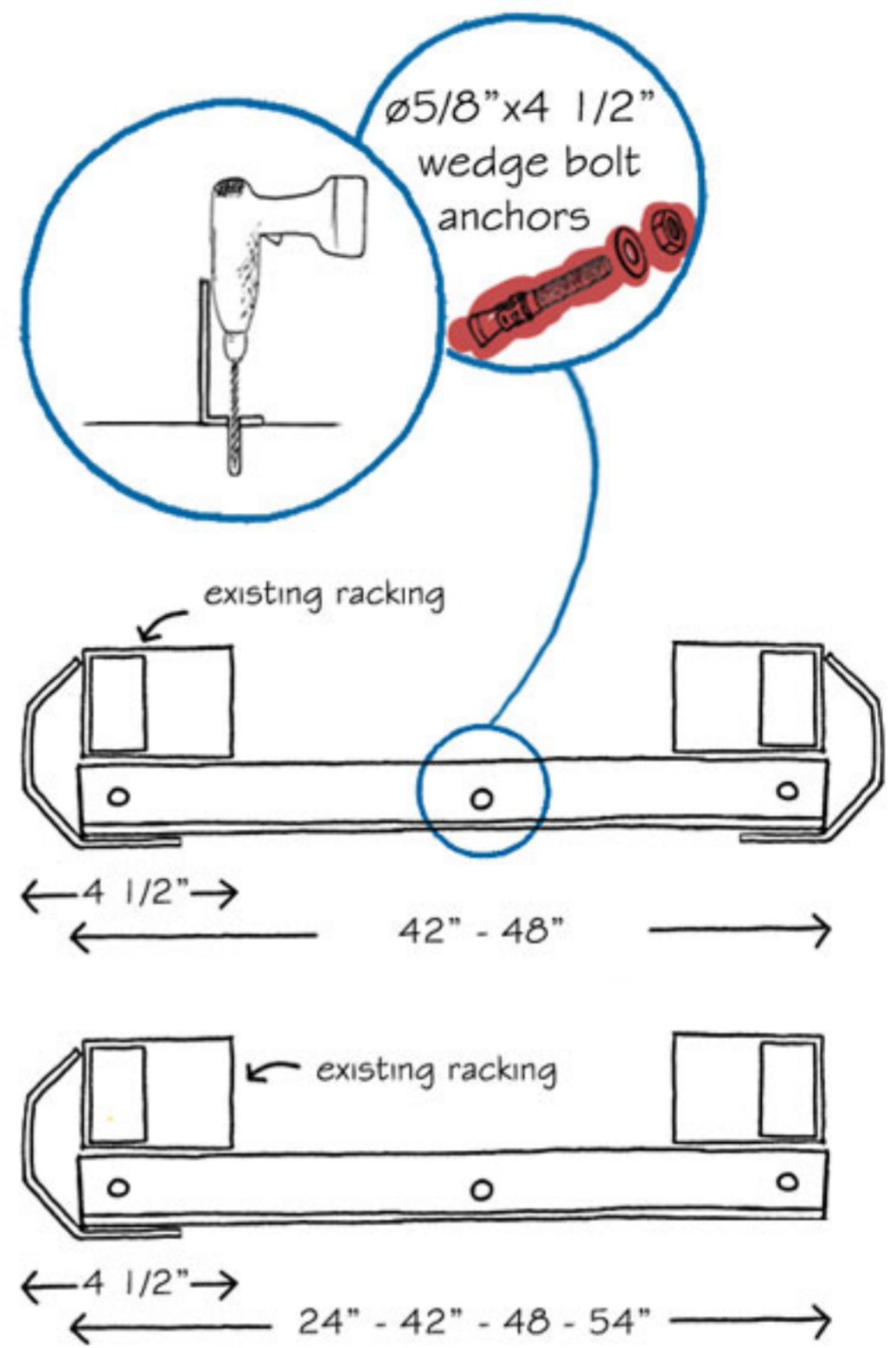
For the most current release of this manual, please visit our website at [cogan.com](http://cogan.com)

V.2013.2



Simply anchor the rack pals to the floor. Cogan recommends to always install on a concrete surface.

To install wedge anchors, hammer drill a hole with the same nominal diameter and at least as deep as the length of the anchor. Clean holes using blow out bulb. Then drive Hilti bolt and tighten to the recommended torque value. Use these anchors in concrete only.



<b>Product</b>	Rack Protection
<b>Sub-product</b>	Rack pal - wrap around style

- 24" - 42" - 48" - 54" standard length (refer to drawing above for each model).
- Left or right orientation.
- Single wrap or double wrap available.
- Easy installation by anchoring to concrete flooring surface.



A Tradition of Quality Since 1901

[cogan.com](http://cogan.com)